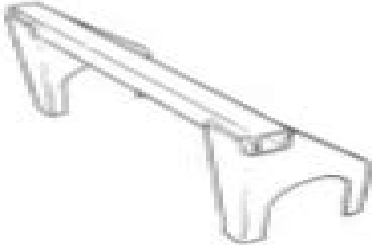
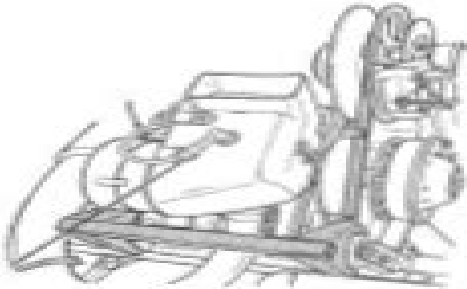



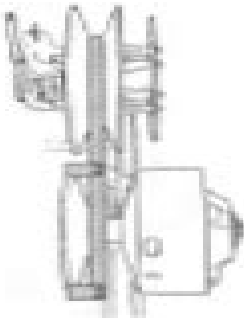


Section 01 TOOLS
Sub-section 02 (SERVICE TOOLS)

TRANSMISSION

SERVICE TOOL	PURPOSE	APPLICATION
<p>Engine support positioner 529 0081 00</p>  <p>4000 001 001</p>	<p>To ease pulley alignment</p>  <p>4000 001 002</p>	<p>Safari Citation/E Tundra/LT</p> <hr/> <p>Elan Safari Citation/E Tundra/LT</p>
<p>Pulley alignment gauge 529 0080 00</p>  <p>4000 001 004</p>		<p>A) All Safari Voyager, Safari Escapade, Safari Cheyenne</p> <hr/> <p>B) Safari Scout/E Safari Sage</p>
<p>A) Alignment gauge 529 0084 00</p>  <p>4000 001 005</p> <p>B) 529 0083 00</p>  <p>4000 001 003</p>	<p>To ease pulley alignment</p>  <p>4000 001 006</p>	

1989 Bombardier Skidoo Snowmobile Repair Manual

N Colangelo



1989 Bombardier Skidoo Snowmobile Repair Manual:

1989 Bombardier Skidoo Snowmobile Repair Manual Book Review: Unveiling the Power of Words

In a world driven by information and connectivity, the energy of words has become much more evident than ever. They have the capacity to inspire, provoke, and ignite change. Such may be the essence of the book **1989 Bombardier Skidoo Snowmobile Repair Manual**, a literary masterpiece that delves deep into the significance of words and their effect on our lives. Published by a renowned author, this captivating work takes readers on a transformative journey, unraveling the secrets and potential behind every word. In this review, we will explore the book's key themes, examine its writing style, and analyze its overall effect on readers.

<http://a-walhalla.hu/book/publication/Documents/Wiring%20F350%20Upfitter%20Switches.pdf>

Table of Contents 1989 Bombardier Skidoo Snowmobile Repair Manual

1. Understanding the eBook 1989 Bombardier Skidoo Snowmobile Repair Manual
 - The Rise of Digital Reading 1989 Bombardier Skidoo Snowmobile Repair Manual
 - Advantages of eBooks Over Traditional Books
2. Identifying 1989 Bombardier Skidoo Snowmobile Repair Manual
 - Exploring Different Genres
 - Considering Fiction vs. Non-Fiction
 - Determining Your Reading Goals
3. Choosing the Right eBook Platform
 - Popular eBook Platforms
 - Features to Look for in an 1989 Bombardier Skidoo Snowmobile Repair Manual
 - User-Friendly Interface
4. Exploring eBook Recommendations from 1989 Bombardier Skidoo Snowmobile Repair Manual
 - Personalized Recommendations
 - 1989 Bombardier Skidoo Snowmobile Repair Manual User Reviews and Ratings
 - 1989 Bombardier Skidoo Snowmobile Repair Manual and Bestseller Lists

5. Accessing 1989 Bombardier Skidoo Snowmobile Repair Manual Free and Paid eBooks
 - 1989 Bombardier Skidoo Snowmobile Repair Manual Public Domain eBooks
 - 1989 Bombardier Skidoo Snowmobile Repair Manual eBook Subscription Services
 - 1989 Bombardier Skidoo Snowmobile Repair Manual Budget-Friendly Options
6. Navigating 1989 Bombardier Skidoo Snowmobile Repair Manual eBook Formats
 - ePub, PDF, MOBI, and More
 - 1989 Bombardier Skidoo Snowmobile Repair Manual Compatibility with Devices
 - 1989 Bombardier Skidoo Snowmobile Repair Manual Enhanced eBook Features
7. Enhancing Your Reading Experience
 - Adjustable Fonts and Text Sizes of 1989 Bombardier Skidoo Snowmobile Repair Manual
 - Highlighting and Note-Taking 1989 Bombardier Skidoo Snowmobile Repair Manual
 - Interactive Elements 1989 Bombardier Skidoo Snowmobile Repair Manual
8. Staying Engaged with 1989 Bombardier Skidoo Snowmobile Repair Manual
 - Joining Online Reading Communities
 - Participating in Virtual Book Clubs
 - Following Authors and Publishers 1989 Bombardier Skidoo Snowmobile Repair Manual
9. Balancing eBooks and Physical Books 1989 Bombardier Skidoo Snowmobile Repair Manual
 - Benefits of a Digital Library
 - Creating a Diverse Reading Collection 1989 Bombardier Skidoo Snowmobile Repair Manual
10. Overcoming Reading Challenges
 - Dealing with Digital Eye Strain
 - Minimizing Distractions
 - Managing Screen Time
11. Cultivating a Reading Routine 1989 Bombardier Skidoo Snowmobile Repair Manual
 - Setting Reading Goals 1989 Bombardier Skidoo Snowmobile Repair Manual
 - Carving Out Dedicated Reading Time
12. Sourcing Reliable Information of 1989 Bombardier Skidoo Snowmobile Repair Manual
 - Fact-Checking eBook Content of 1989 Bombardier Skidoo Snowmobile Repair Manual
 - Distinguishing Credible Sources
13. Promoting Lifelong Learning

- Utilizing eBooks for Skill Development
 - Exploring Educational eBooks
14. Embracing eBook Trends
- Integration of Multimedia Elements
 - Interactive and Gamified eBooks

1989 Bombardier Skidoo Snowmobile Repair Manual Introduction

Free PDF Books and Manuals for Download: Unlocking Knowledge at Your Fingertips In today's fast-paced digital age, obtaining valuable knowledge has become easier than ever. Thanks to the internet, a vast array of books and manuals are now available for free download in PDF format. Whether you are a student, professional, or simply an avid reader, this treasure trove of downloadable resources offers a wealth of information, conveniently accessible anytime, anywhere. The advent of online libraries and platforms dedicated to sharing knowledge has revolutionized the way we consume information. No longer confined to physical libraries or bookstores, readers can now access an extensive collection of digital books and manuals with just a few clicks. These resources, available in PDF, Microsoft Word, and PowerPoint formats, cater to a wide range of interests, including literature, technology, science, history, and much more. One notable platform where you can explore and download free 1989 Bombardier Skidoo Snowmobile Repair Manual PDF books and manuals is the internet's largest free library. Hosted online, this catalog compiles a vast assortment of documents, making it a veritable goldmine of knowledge. With its easy-to-use website interface and customizable PDF generator, this platform offers a user-friendly experience, allowing individuals to effortlessly navigate and access the information they seek. The availability of free PDF books and manuals on this platform demonstrates its commitment to democratizing education and empowering individuals with the tools needed to succeed in their chosen fields. It allows anyone, regardless of their background or financial limitations, to expand their horizons and gain insights from experts in various disciplines. One of the most significant advantages of downloading PDF books and manuals lies in their portability. Unlike physical copies, digital books can be stored and carried on a single device, such as a tablet or smartphone, saving valuable space and weight. This convenience makes it possible for readers to have their entire library at their fingertips, whether they are commuting, traveling, or simply enjoying a lazy afternoon at home. Additionally, digital files are easily searchable, enabling readers to locate specific information within seconds. With a few keystrokes, users can search for keywords, topics, or phrases, making research and finding relevant information a breeze. This efficiency saves time and effort, streamlining the learning process and allowing individuals to focus on extracting the information they need. Furthermore, the availability of free PDF books and manuals fosters a culture of continuous learning. By removing financial barriers, more people can access educational resources and

pursue lifelong learning, contributing to personal growth and professional development. This democratization of knowledge promotes intellectual curiosity and empowers individuals to become lifelong learners, promoting progress and innovation in various fields. It is worth noting that while accessing free 1989 Bombardier Skidoo Snowmobile Repair Manual PDF books and manuals is convenient and cost-effective, it is vital to respect copyright laws and intellectual property rights. Platforms offering free downloads often operate within legal boundaries, ensuring that the materials they provide are either in the public domain or authorized for distribution. By adhering to copyright laws, users can enjoy the benefits of free access to knowledge while supporting the authors and publishers who make these resources available. In conclusion, the availability of 1989 Bombardier Skidoo Snowmobile Repair Manual free PDF books and manuals for download has revolutionized the way we access and consume knowledge. With just a few clicks, individuals can explore a vast collection of resources across different disciplines, all free of charge. This accessibility empowers individuals to become lifelong learners, contributing to personal growth, professional development, and the advancement of society as a whole. So why not unlock a world of knowledge today? Start exploring the vast sea of free PDF books and manuals waiting to be discovered right at your fingertips.

FAQs About 1989 Bombardier Skidoo Snowmobile Repair Manual Books

How do I know which eBook platform is the best for me? Finding the best eBook platform depends on your reading preferences and device compatibility. Research different platforms, read user reviews, and explore their features before making a choice. Are free eBooks of good quality? Yes, many reputable platforms offer high-quality free eBooks, including classics and public domain works. However, make sure to verify the source to ensure the eBook credibility. Can I read eBooks without an eReader? Absolutely! Most eBook platforms offer web-based readers or mobile apps that allow you to read eBooks on your computer, tablet, or smartphone. How do I avoid digital eye strain while reading eBooks? To prevent digital eye strain, take regular breaks, adjust the font size and background color, and ensure proper lighting while reading eBooks. What the advantage of interactive eBooks? Interactive eBooks incorporate multimedia elements, quizzes, and activities, enhancing the reader engagement and providing a more immersive learning experience. 1989 Bombardier Skidoo Snowmobile Repair Manual is one of the best book in our library for free trial. We provide copy of 1989 Bombardier Skidoo Snowmobile Repair Manual in digital format, so the resources that you find are reliable. There are also many Ebooks of related with 1989 Bombardier Skidoo Snowmobile Repair Manual. Where to download 1989 Bombardier Skidoo Snowmobile Repair Manual online for free? Are you looking for 1989 Bombardier Skidoo Snowmobile Repair Manual PDF? This is definitely going to save you time and cash in something you should think about.

Find 1989 Bombardier Skidoo Snowmobile Repair Manual :

[wiring f350 upfitter switches](#)

[panasonic dmp bd80 manual](#)

[50 decadent banana recipes](#)

[spanish lectura b answer sheet](#)

bosch alternator adaptor wiring diagrams

[90 4runner manual transmission diagram](#)

[n2 diesel trade theory previous papers](#)

[operating manual aston martin db7](#)

standard 1 national test past papers

[american odyssey test answers](#)

2007 chevrolet malibu owners manual

[physical chemistry atkins 9th solution manual](#)

[6 hp evinrude repair manual 1988](#)

[naughty but nice cross stitch claire crompton](#)

sell my international edition textbook

1989 Bombardier Skidoo Snowmobile Repair Manual :

zerstörende und zerstörungsfreie werkstoffprüfung werkstoff - Feb 09 2023

web jan 1 2018 download citation zerstörende und zerstörungsfreie werkstoffprüfung werkstoff und wärmebehandlungstechnik dieses stark praxisorientierte fachbuch gibt dem leser einen umfassenden

zerstorungsfreie werkstoffprufung ultraschallpruf pdf full pdf - Dec 27 2021

web teil 1 prüfgeräte iso dis 18563 1 2021 2021 breitbandige holographische abbildungsverfahren und ihre anwendung in der zerstörungsfreien werkstoffprüfung mit ultraschall günter prokoph 1988 din en iso 18563 1 zerstörungsfreie prüfung charakterisierung und verifizierung der ultraschall prüfausrüstung mit

[zerstorungsfreie werkstoffprufung ultraschallpruf pdf pdf](#) - Feb 26 2022

web zerstorungsfreie werkstoffprufung ultraschallpruf pdf introduction zerstorungsfreie werkstoffprufung ultraschallpruf pdf

pdf title zerstorungsfreie werkstoffprufung ultraschallpruf pdf pdf snapshot segmetrics io created date 8 31 2023 12 03 56

pm

ultraschallprüfung stufe 1 zerstörungsfreie prüfung zfp ut - Aug 15 2023

web die ultraschallprüfung ist ein zerstörungsfreies werkstoffprüfverfahren zum auffinden von materialfehlern mittels ultraschall sie eignet sich besonders um bei schallleitfähigen werkstoffen innere und äußere fehler aufzufinden

zerstörungsfreie werkstoffprüfung by sandro pammer prezi - Aug 03 2022

web zerstörungsfreie werkstoffprüfung allgemeines zerstörungsfrei ermitteln von fehlern messungen allgemeines verfahren verfahren akustisches verfahren akustisches verfahren ultraschallprüfung ultraschalprüfung schallgeschwindigkeit schallgeschwindigkeit e g t k module e g t

zerstörungsfreie werkstoffprüfung technische universität - Mar 10 2023

web prüfung mit ultraschall magnetische und magnetinduktive rissprüfung elektrische verfahren eindringverfahren thermografie konstruktive voraussetzungen für die zfp vorlesungsunterlagen downloads

ultraschallwerkstoffprüfung lexikon der physik spektrum de - Nov 06 2022

web ultraschallwerkstoffprüfung zerstörungsfreie methode zur untersuchung von metallen auf das vorhandensein von hohlräumen rissen usw

zerstörungsfreie werkstoffprüfung tÜv nord - Jun 13 2023

web ultraschallprüfung ut wirbelstromprüfung et eindringprüfung pt farbeindringungsprüfung schallemissionsprüfung at thermografie videoskopie endoskopie qualitätsversprechen von tÜv nord

zerstoerungsfreie werkstoffprufung ultraschallprufung buy - Jan 28 2022

web zerstoerungsfreie werkstoffprufung ultraschallprufung by schiebold karlheinz from flipkart com only genuine products 30 day replacement guarantee free shipping cash on delivery

zerstorungsfreie werkstoffprufung ultraschallpruf - Jul 02 2022

web zerstorungsfreie werkstoffprufung ultraschallpruf downloaded from ftp popcake com by guest laila mayo expert praxislexikon zerstörungsfreie materialprüfung springer verlag this new edition of a technical dictionary is an evaluation of the technical terms found in the domes tic and foreign literature and in standards guidelines and directives

schnelle und zerstörungsfreie werkstoffprüfung mit ultraschall - Jul 14 2023

web die ultraschallprüfung ist eines der am häufigsten eingesetzten verfahren in der zerstörungsfreien werkstoffprüfung zfp wofür das fraunhofer ikts seit vielen jahren lösungen entwickelt

experimentelle und modellbasierte untersuchung der - Apr 11 2023

web oct 17 2020 experimentelle und modellbasierte untersuchung der zerstörungsfreien werkstoffprüfung von holzbasierten verbundwerkstoffen mittels ultraschall request

zerstorungsfreie werkstoffprufung ultraschallprufung schiebold - Dec 07 2022

web zerstörungsfreie werkstoffprüfung ultraschallprüfung by schiebold karlheinz available in trade paperback on powells com also read synopsis and reviews die ultraschall materialprüfung ist ein zerstörungsfreies verfahren zur prüfung von metallischen und

zerstörungsfreie werkstoffprüfung ultraschallprüfung alibris - Apr 30 2022

web buy zerstörungsfreie werkstoffprüfung ultraschallprüfung by karlheinz schiebold online at alibris we have new and used copies available in 1 editions starting at 24 00 shop now

zerstörungsfreie werkstoffprüfung ultraschallprüfung - Oct 05 2022

web zerstörungsfreie werkstoffprüfung ultraschallprüfung is written by karlheinz schiebold and published by springer vieweg the digital and etextbook isbn for zerstörungsfreie werkstoffprüfung ultraschallprüfung are 9783662447000 3662447002 and the print isbn are 9783662446997 3662446995 save up to 80 versus print by going digital with

zerstörungsfreie werkstoffprüfung ultraschallpruf - Sep 04 2022

web zerstörungsfreie werkstoffprüfung ultraschallpruf tonindustrie zeitung und keramische rundschau oct 01 2020 metall jan 28 2023 the evolution of knowledge jul 22 2022 jürgen renn examines the role of knowledge in global transformations going back to the dawn of civilization while providing vital perspectives on the complex

zerstörungsfreie werkstoffprüfung ultraschallprüfung by - May 12 2023

web jun 4 2023 zerstörungsfreie werkstoffprüfung ultraschallprüfung by karlheinz schiebold zerstörungsfreie werkstoffprüfung ultraschallprüfung by karlheinz schiebold

zerstoerungsfreie werkstoffprüfung ultraschallprüfung by - Mar 30 2022

web dec 18 2014 buy zerstoerungsfreie werkstoffprüfung ultraschallprüfung by karlheinz schiebold from waterstones today click and collect from your local waterstones or get free uk delivery on orders over 25

zerstörungsfreie werkstoffprüfung request pdf researchgate - Jan 08 2023

web jan 1 2005 request pdf on jan 1 2005 bernhard ilschner and others published zerstörungsfreie werkstoffprüfung find read and cite all the research you need on researchgate

zerstörungsfreie werkstoffprüfung ultraschallpruf book - Jun 01 2022

web zerstörungsfreie werkstoffprüfung ultraschallpruf technisches zentralblatt jan 28 2023 advanced interconnects for ulsi technology nov 14 2021 finding new materials for copper low k interconnects is critical to the continuing development of computer chips while copper low k interconnects have served well allowing for the creation of ultra

geschichte der auslanderpolitik in deutschland sa pdf - Sep 22 2023

web der umgang des deutschen staates mit der migration als kriegsfolge des 2 weltkrieges einstellungen in politik und Öffentlichkeit gegenüber fremden bevölkerungsgruppen in den 50er und 60er jahren

herbert ulrich geschichte der ausländerpolitik in deutschland - Jul 20 2023

web zugleich aber vermag sie zu zeigen warum viele probleme der ausländerpolitik bis heute ungelöst geblieben sind mehr von ulrich herbert broschur 24 95 kaufen merken details 978 3 406 71553 2 2 auflage 2017

geschichte der auslanderpolitik in deutschland sa ftp - Jun 07 2022

web geschichte der ausländerbeschäftigung in deutschland 1880 bis 1980 kleine geschichte der ein und auswanderung in baden württemberg einstellungen in politik und Öffentlichkeit gegenüber fremden bevölkerungsgruppen

geschichte der auslanderpolitik in deutschland sa nora - Nov 12 2022

web jan 12 2023 4728469 geschichte der auslanderpolitik in deutschland sa 1 8 downloaded from subscribe redhanger com on by guest geschichte der auslanderpolitik in deutschland sa as recognized adventure as skillfully as experience just about lesson amusement as capably as bargain can be gotten by just checking out a book

ausländerpolitik wikipedia - Aug 21 2023

web beispielsweise kann ein langzeitarbeitsloser einwanderer aus einem nicht eu land seit einföhrung von hartz iv sein aufenthaltsrecht in deutschland verlieren geschichte der deutschen ausländerpolitik die grundlagen der ausländerpolitik wurzeln seit dem 24 mai 1949 im grundgesetz

geschichte der auslanderpolitik in deutschland sa full pdf - Sep 10 2022

web einwanderungsland deutschland die entwicklung der deutschen ausländerpolitik 1980 90 geschichte der auslanderpolitik in deutschland sa downloaded from banking finance gov ie by guest maren tanya immigration dialectic walter de gruyter gmbh co kg studienarbeit aus dem jahr 2017 im fachbereich geschichte

geschichte der auslanderpolitik in deutschland sa dirk - Mar 04 2022

web geschichte der auslanderpolitik in deutschland sa right here we have countless book geschichte der auslanderpolitik in deutschland sa and collections to check out we additionally present variant types and then type of the books to browse the customary book fiction history novel scientific research as capably as various additional sorts

ausländerpolitik begriffe und geschichte lernhelfer - May 18 2023

web ausländerpolitik begriffe und geschichte die debatte um die ausländerpolitik bestimmt seit jahrzehnten die innenpolitische auseinandersetzung in deutschland wie kein anderes thema sie wird in etappen immer wieder mit zunehmender schärfe geführt die zuwanderung hat wesentlich zur bevölkerungsdynamik in deutschland beigetragen

außenpolitik der bundesrepublik deutschland wikipedia - Jan 14 2023

web staaten in denen deutschland eine botschaft errichtet hat blau die bundesrepublik deutschland verfolgt außenpolitisch interessen und ziele die sich aus geografischen historischen kulturellen und weltpolitischen gegebenheiten ableiten in den ersten zwei jahrzehnten des bestehens der bundesrepublik war die außenpolitik der regierung in

geschichte der auslanderpolitik in deutschland sa - Feb 15 2023

web geschichte der auslanderpolitik in deutschland sa integration als ziel der aktuellen ausländerpolitik in der bundesrepublik deutschland jul 15 2021 ausländerpolitik in deutschland aug 28 2022 gefährlich fremd sep 04 2020 rassismus meint mehr als vorurteile denen appellativ entgegenzutreten wäre im wesentlichen bringen

geschichte der auslanderpolitik in deutschland sa pdf copy - May 06 2022

web geschichte der auslanderpolitik in deutschland sa pdf pages 2 29 geschichte der auslanderpolitik in deutschland sa pdf upload herison e paterson 2 29 downloaded from election tv standardmedia co ke on september 14 2023 by herison e paterson fascinating and accessible book is a must read for anyone

geschichte der auslanderpolitik in deutschland sa pdf - Aug 09 2022

web apr 6 2023 geschichte der auslanderpolitik in deutschland sa 1 6 downloaded from uniport edu ng on april 6 2023 by guest geschichte der auslanderpolitik in deutschland sa as recognized adventure as skillfully as experience roughly lesson amusement as capably as treaty can be

geschichte der auslanderpolitik in deutschland sa pdf - Jul 08 2022

web the holocaust germany s stormtroopers engaged in a vicious siege of violence that propelled the national socialists to power in the 1930s known also as the sa or brownshirts these ordinary men waged a loosely structured campaign of intimidation and savagery across the nation from the 1920s to the night of the

geschichte der auslanderpolitik in deutschland sa annette - Apr 05 2022

web geschichte der auslanderpolitik in deutschland sa recognizing the mannerism ways to get this book geschichte der auslanderpolitik in deutschland sa is additionally useful you have remained in right site to begin getting this info acquire the geschichte der auslanderpolitik in deutschland sa associate that we allow here and check out the link

geschichte der auslanderpolitik in deutschland sa download - Apr 17 2023

web geschichte der ausländerbeschäftigung in der bundesrepublik deutschland einstellungen in politik und Öffentlichkeit gegenüber fremden bevölkerungsgruppen in den 50er und 60er jahren

geschichte der auslanderpolitik in deutschland sa book - Mar 16 2023

web regierungserklärung 1982 die beiden stellungnahmen verdeutlichen den wandel in der deutschen ausländerpolitik das angekündigte ziel von helmut kohl sollte die gesamten 1980er jahre der deutschen ausländerpolitik prägen in den anfangszeiten der ausländerpolitik wurde der aufenthalt der

geschichte der auslanderpolitik in deutschland sa download - Oct 11 2022

web geschichte der auslanderpolitik in deutschland sa immigration and german identity in the federal republic of germany from 1945 to 2006 der diskurs um die gastarbeiter in der ersten phase der ausländerpolitik von 1953 1973 in südbadens

presse

geschichte der auslanderpolitik in deutschland sa pdf - Jun 19 2023

web jul 2 2023 geschichte der auslanderpolitik in deutschland sa 2 10 downloaded from uniport edu ng on july 2 2023 by guest versprechen und die etablierten parteien angreifen verzeichnen einen enormen zuwachs aber welchen einfluss haben sie auf das politische system wer sind die wähler und was treibt sie an carlsen klartext aktuelles aus

geschichte der auslanderpolitik in deutschland sa download - Dec 13 2022

web geschichte der ausländerbeschäftigung in deutschland friedrich ii als vorbild für integrationspolitik immigration and german identity in the federal republic of germany from 1945 to

geschichte der auslanderpolitik in deutschland sa - Feb 03 2022

web mit dem zweiten teil des biographischen lexikons zur geschichte der deutschen sozialpolitik kurz biolex werden die im ersten band vorgelegten kurzbiographien deutscher sozialpolitiker des kaiserreichs durch die biographien aus der zeit der weimarer republik und des nationalsozialismus komplettiert so dass für den zeitraum 1871 bis 1945

bcf 106 defense acquisition university course hero - Sep 04 2023

web dau course bcf 106 test answers pdf 100 pages bcf106 l4 pdf defense acquisition university bcf 106 fall 2018 register now bcf106 l4 pdf 2 pages bcf106 lesson

dau course bcf 106 test answers dimpact carnstone com - Mar 18 2022

web dau course bcf 106 test answers author ferdinand semmler from dimpact carnstone com subject dau course bcf 106 test answers keywords

dau course bcf 106 test answers tvl parisbytrain com - Sep 23 2022

web dau course bcf 106 test answers dau course bcf 106 test answers ips element guidebook 11 02 2017 dau home en wikipedia org wiki special search

dau course bcf 106 test answers pdf dau course bcf 106 - Oct 05 2023

web view test prep dau course bcf 106 test answers pdf from bcf 106 at defense acquisition university dau course bcf 106 test answers pdf free download here

dau course bcf 106 test answers app savvi com - Jan 16 2022

web it is your completely own become old to operate reviewing habit accompanied by guides you could enjoy now is dau course bcf 106 test answers below icipeg 2014

dau course bcf 106 test answers bespoke cityam - Dec 27 2022

web dau course bcf 106 test answers bespoke cityam com keywords https en wikipedia org wiki special search http zrsr sk ips element guidebook 11 02 2017 dau

pdf dau course bcf 106 test answers pdf 1 - Nov 25 2022

web nov 28 2017 home uncategorized pdf dau course bcf 106 test answers pdf selasa 28 november 2017 pdf dau course bcf 106 test answers pdf author alf

dau course bcf 106 test answers cyberlab sutd edu sg - Oct 25 2022

web dau course bcf 106 test answers white s new course in art instruction apr 16 2022 journal of petroleum technology sep 21 2022 the arithmetic of elliptic curves aug

dau course bcf 106 test answers pdf download only - Jun 01 2023

web dau course bcf 106 test answers pdf introduction dau course bcf 106 test answers pdf download only science and technology management alexandru t

dau course bcf 106 test answers edms ncdmb gov ng - Jun 20 2022

web sep 14 2023 dau course bcf 106 test answers zrsr sk en wikipedia org wiki special search zrsr sk ips element guidebook 11 02 2017 dau home

dau course bcf 106 test answers budi parisbytrain com - Apr 30 2023

web dau course bcf 106 test answers dau course bcf 106 test answers ips element guidebook 11 02 2017 dau home zrsr sk en wikipedia org wiki special

dau course bcf 106 test answers bespoke cityam - Mar 30 2023

web jun 17 2023 this dau course bcf 106 test answers as one of the bulk operating sellers here will thoroughly be accompanied by the best options to review plainly put

dau course bcf 106 test answers smis school co - May 20 2022

web dau course bcf 106 test answers omb no edited by obrien brandt coronavirus wisconsin has record daily jump of more than 3 000 new cases as it happened dau

clc 106 dau edu - Feb 14 2022

web clc 106 clc 106 online training olt contracting officer s representative with a mission focus apply for this course about the contracting officer s representative

dau course bcf 106 test answers download only - Apr 18 2022

web oct 6 2023 dau course bcf 106 test answers dorland s dictionary of medical acronyms and abbreviations e book dorland 2015 07 24 medical acronyms and abbreviations offer

dau course bcf 106 test answers home rightster com - Jul 22 2022

web dau course bcf 106 test answers en wikipedia org wiki special search april 29th 2018 we would like to show you a description here but the site won t allow us ips

dau course bcf 106 test answers blog koifootwear com - Aug 23 2022

web dau course bcf 106 test answers dau course bcf 106 test answers en wikipedia org wiki special search zrsr sk en wikipedia org wiki special search

bcf 106 mod 6 exam 2 of 3 attempts dau contains 4 - Jul 02 2023

web view test prep bcf 106 mod 6 exam 2 of 3 attempts from bcf 106 at nonesuch school dau contains 4 questions a ttempt 2 3 select cost n 10 sb1 1 the

bcf 106 fundamentals of cost analysis defense acquisition - Feb 26 2023

web dau courses acq acq 0030 acq 0040 acq 0061 acq 0150 acq 0200 acq 0490 acq 0500 acq 0800 acq 0820 acq 0830 acq 0840 bcf 106 fundamentals of

bcf 106 l4 exam 1 dau page 1 of 1 inflation exam here is - Aug 03 2023

web jun 3 2016 view test prep bcf 106 l4 exam 1 from bcf 106 at defense acquisition university dau page 1 of 1 inflation exam here is your test result the dots represent

dau course bcf 106 test answers - Dec 15 2021

web title dau course bcf 106 test answers author tspa unhcr tug do nl netlabs nl 2023 08 17 07 57 41 subject dau course bcf 106 test answers keywords

dau course bcf 106 test answers home rightster com - Jan 28 2023

web dau course bcf 106 test answers dau course bcf 106 test answers en wikipedia org wiki special search ips element guidebook 11 02 2017 dau home en

dau course bcf 106 test answers iet donnu edu ua - Nov 13 2021

web dau course bcf 106 test answers ips element guidebook 11 02 2017 dau home zrsr sk en wikipedia org wiki special search ips element guidebook 11 02